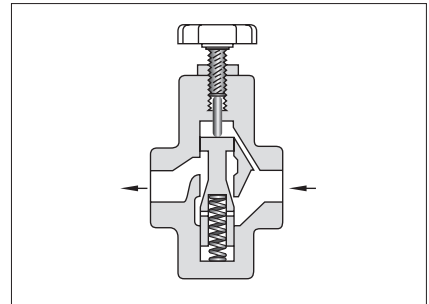
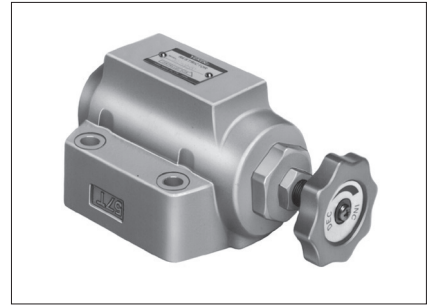


# Restrictors / One Way Restrictors

This valve is used to regulate an actuator speed in a circuit where line pressure is almost steady and small fluctuation of oil flow due to pressure changes is permitted. Integrated check valve allows reversed free flow from outlet to inlet port. Pressure balanced construction provides less effort in adjustment at high pressure.



### Specifications

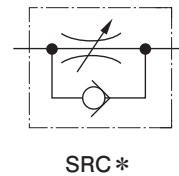
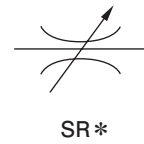
	Model Numbers		Rated Flow★ L/min	Max. Operating Pres. MPa	Mass kg
	Restrictor	One Way Restrictor			
Threaded Connection	SRT-03-50	SRCT-03-50	30	25	1.5
	SRT-06-50	SRCT-06-50	85		3.8
	SRT-10-50	SRCT-10-50	230		9.1
Sub-Plate Mounting	SRG-03-50	SRCG-03-50	30	25	2.5
	SRG-06-50	SRCG-06-50	85		3.9
	SRG-10-50	SRCG-10-50	230		7.5

★Rated flow stands for approximate flow rate when the pressure drop between inlet and outlet ports of the valve in fully opened condition becomes 0.3 MPa maximum at fluid's specific gravity of 0.85 and viscosity of 20 mm<sup>2</sup>/s.

Yuken can offer flanged connection valves described below.  
For details, contact us.

Model Numbers	Rated Flow L/min	Max. Operating Pressure MPa
SRF SRCF -10-50	230	25
SRF SRCF -16-50	500	

### Graphic Symbols



### Model Number Designation

SR	T	-03	-50
Series Number	Type of Mounting	Valve Size	Design Number
SR : Restrictor	T : Threaded Connection	03	50
		06	50
		10	50
SRC : One Way Restrictor	G : Sub-Plate Mounting	03	50
		06	50
		10	50

### Sub-Plates

Valve Model Numbers	Sub-Plate Model Numbers	Thread Size Rc	Mass kg
SRG SRCG -03	CRGM-03-50	3/8	1.6
	CRGM-03X-50	1/2	1.6
SRG SRCG -06	CRGM-06-50	3/4	2.4
	CRGM-06X-50	1	3.0
SRG SRCG -10	CRGM-10-50	1 1/4	4.8
	CRGM-10X-50	1 1/2	5.7

- Sub-plates are available. Specify the sub-plate model number from the left table. When sub-plates are not used, the mounting surface should have a good machined finish ( $\sqrt{6}$ ).
- Sub-plates are common with right angle check valves. For dimensions, see page D-26.

■ Accessories

● Mounting Bolts

Valve Model Numbers	Socket Head Cap Screw	Qty.
SRG SRCG -03	M10×45L	4
SRG SRCG -06	M10×50L	4
SRG SRCG -10	M10×55L	6

■ Instructions

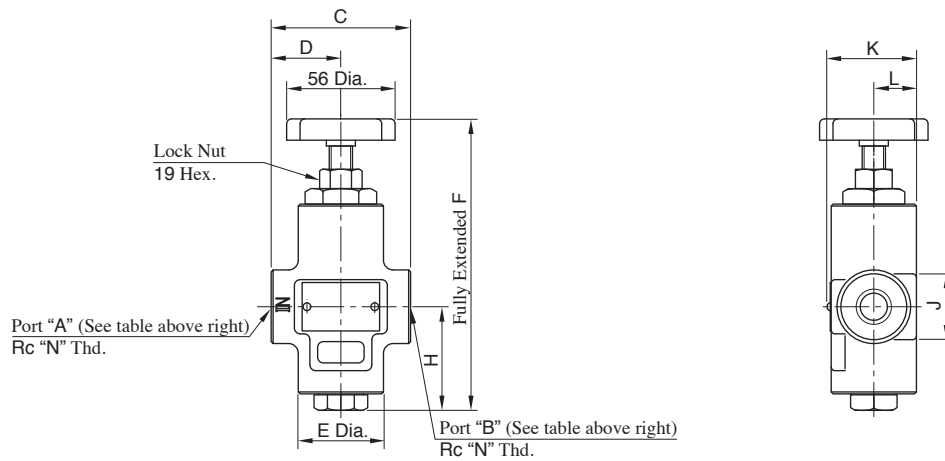
● Flow Adjustment

Loosen the lock nut and turn the flow adjustment handle clockwise to increase. After adjustment, be sure to tighten the lock nut.

**SRT  
SRCT -03, 06, 10**

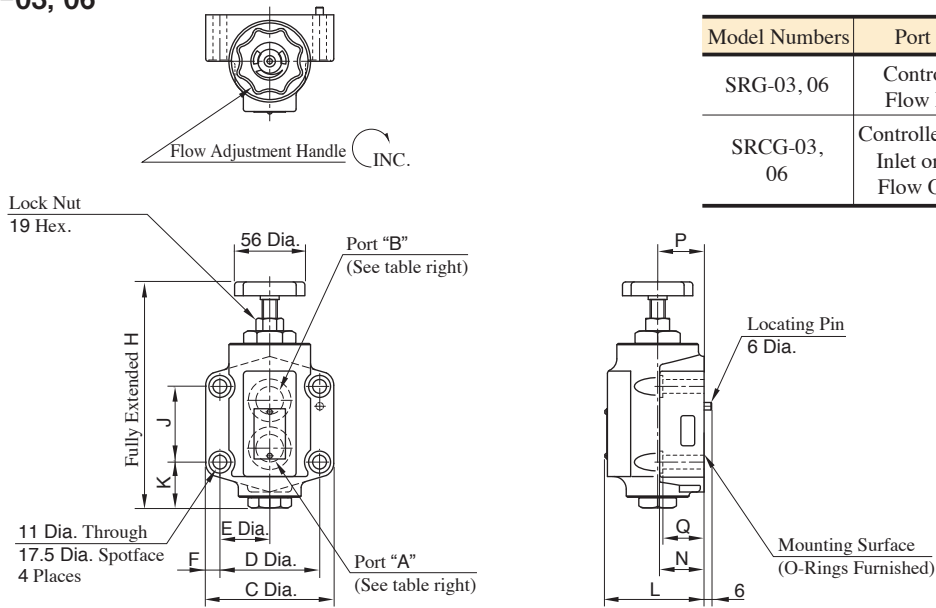


Model Numbers	Port "A"	Port "B"
SRT-*	Controlled Flow Inlet	Controlled Flow Outlet
SRCT-*	Controlled Flow Inlet or Free Flow Outlet	Controlled Flow Outlet or Free Flow Inlet



Model Numbers	C	D	E	F	H	J	K	L	N
SRT SRCT -03	72	36	44	150.5	53.5	38 Dia.	46	22	3/8
SRT SRCT -06	100	50	58	180	66.5	62 Sq.	64	31	3/4
SRT SRCT -10	138	69	80	227	86	80 Sq.	82	40	1 1/4

## SRG SRCG -03, 06



Model Numbers	Port "A"	Port "B"
SRG-03, 06	Controlled Flow Inlet	Controlled Flow Outlet
SRCG-03, 06	Controlled Flow Inlet or Free Flow Outlet	Controlled Flow Outlet or Free Flow Inlet

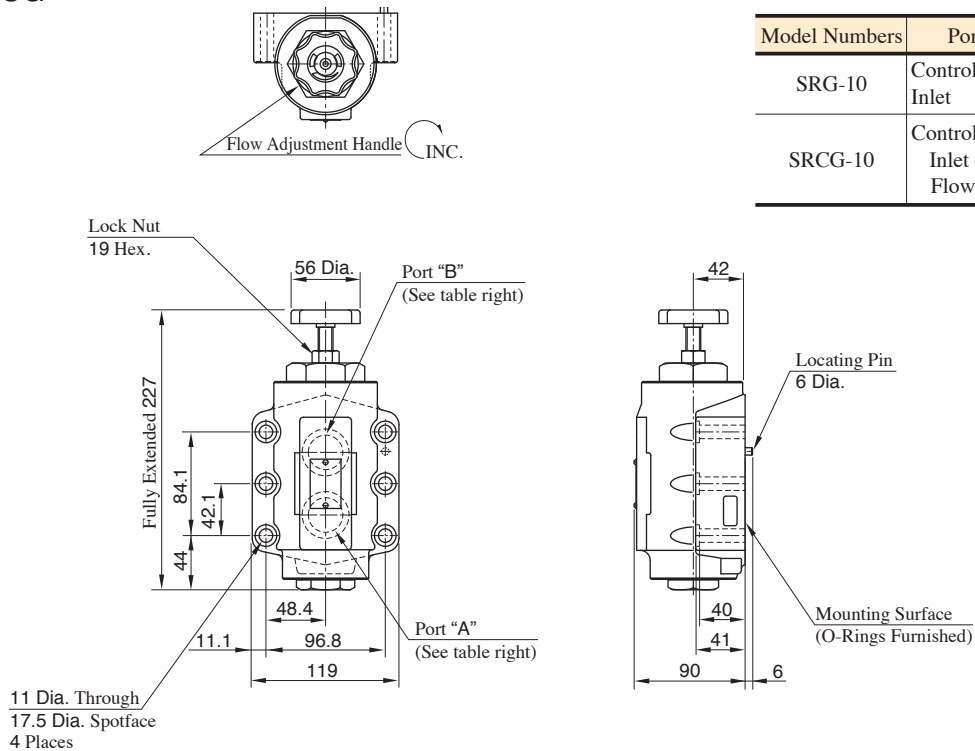
Model Numbers	C	D	E	F	H	J	K	L	N	P	Q	Mounting Surface
SRG SRCG -03	90	66.7	33.3	11.7	150.5	42.9	32	64	31	31	30	ISO 5781-06-07-0-00
SRG SRCG -06	102	79.4	39.7	11.3	180	60.3	36.5	79	36	37	35	ISO 5781-08-10-0-00

Note: For dimensions of the valve mounting surface, see the page D-26.

**D**  
Restrictors

## SRG SRCG -10

Mounting Surface : ISO 5781-10-13-0-00



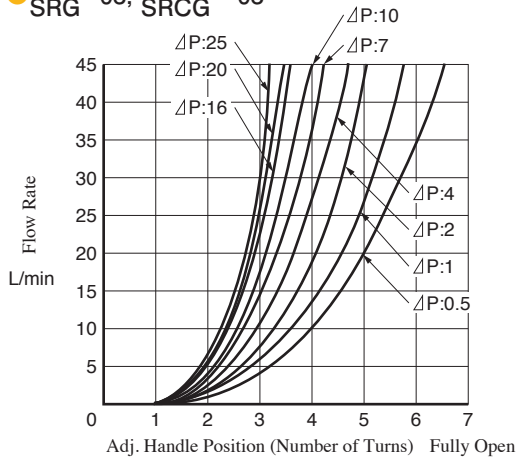
Model Numbers	Port "A"	Port "B"
SRG-10	Controlled Flow Inlet	Controlled Flow Outlet
SRCG-10	Controlled Flow Inlet or Free Flow Outlet	Controlled Flow Outlet or Free Flow Inlet

Note: For dimensions of the valve mounting surface, see the page D-26.

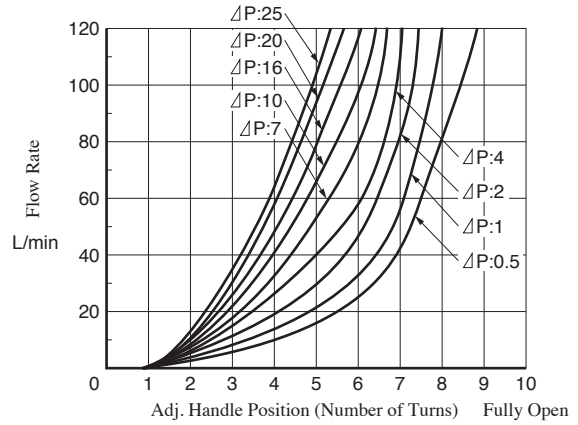
Adjustment Handle Position vs. Flow

Viscosity : 30 mm<sup>2</sup>/s [ $\Delta P$  : Differential Pressure (MPa)]

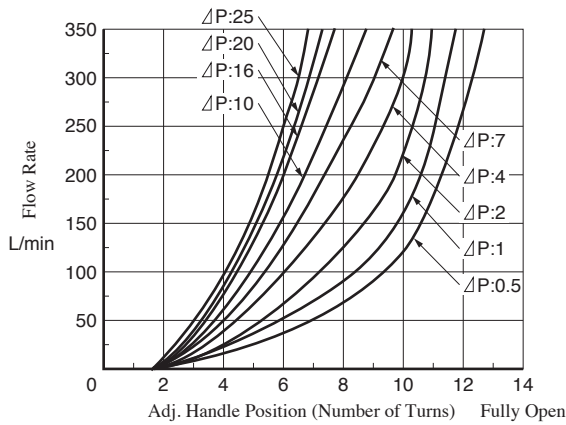
● SRT -03, SRCT -03  
SRG -03, SRCG -03



● SRT -06, SRCT -06  
SRG -06, SRCG -06



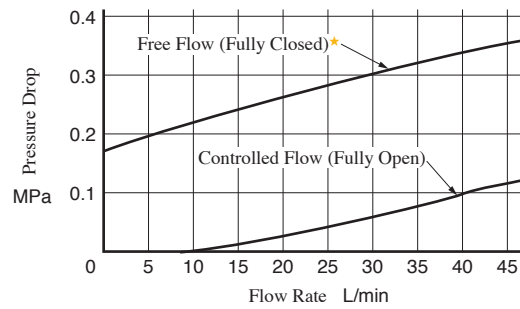
● SRT -10, SRCT -10  
SRG -10, SRCG -10



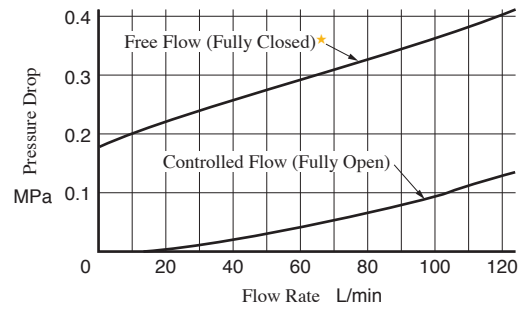
Pressure Drop

Viscosity : 30 mm<sup>2</sup>/s

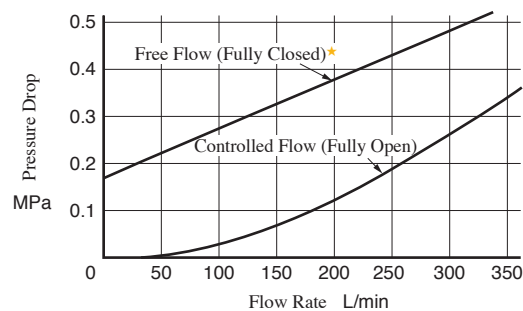
● SRT -03, SRCT -03  
SRG -03, SRCG -03



● SRT -06, SRCT -06  
SRG -06, SRCG -06



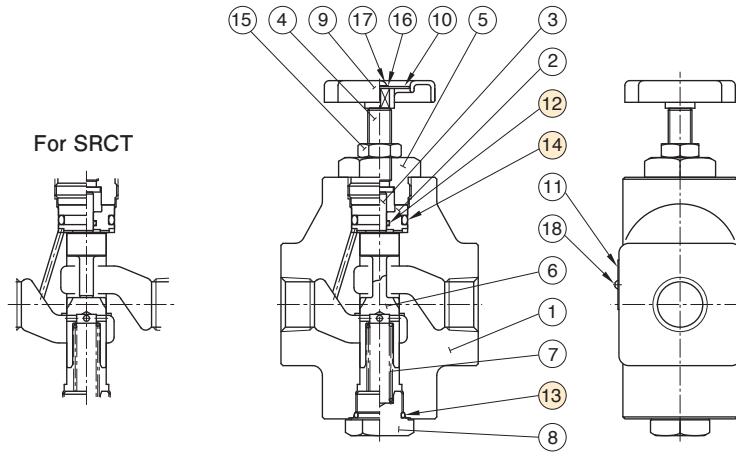
● SRT -10, SRCT -10  
SRG -10, SRCG -10



★ Applicable only for one way restrictor (Model No. SRC\*)

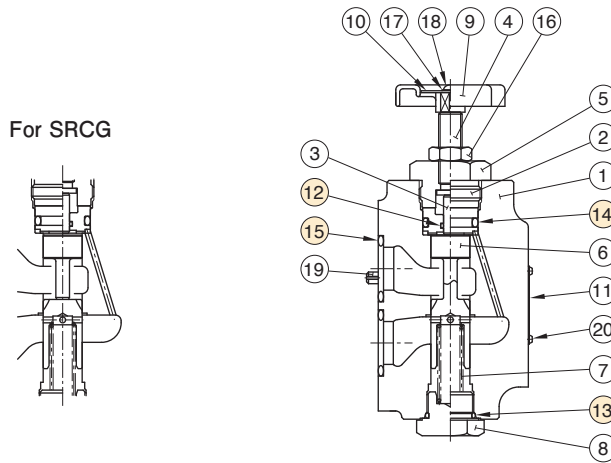
List of Seals

**SRT  
SRCT -03, 06, 10**



Item	Name of Parts	Part Numbers			Qty.
		SRT SRCT -03	SRT SRCT -06	SRT SRCT -10	
12	O-Ring	OR NBR-90 P7-N	OR NBR-90 P7-N	OR NBR-90 P7-N	1
13	O-Ring	OR NBR-90 P15-N	OR NBR-90 P21-N	OR NBR-90 P29-N	1
14	O-Ring	OR NBR-90 P20-N	OR NBR-90 P22.4-N	OR NBR-90 P36-N	1

**SRG  
SRCG -03, 06, 10**



Item	Name of Parts	Part Numbers			Qty.
		SRG SRCG -03	SRG SRCG -06	SRG SRCG -10	
12	O-Ring	OR NBR-90 P7-N	OR NBR-90 P7-N	OR NBR-90 P7-N	1
13	O-Ring	OR NBR-90 P15-N	OR NBR-90 P21-N	OR NBR-90 P29-N	1
14	O-Ring	OR NBR-90 P20-N	OR NBR-90 P22.4-N	OR NBR-90 P36-N	1
15	O-Ring	OR NBR-90 P18-N	OR NBR-90 P28-N	OR NBR-90 P32-N	2